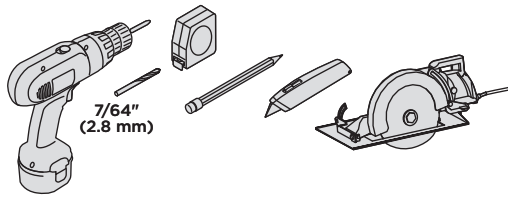


TOOLS NEEDED



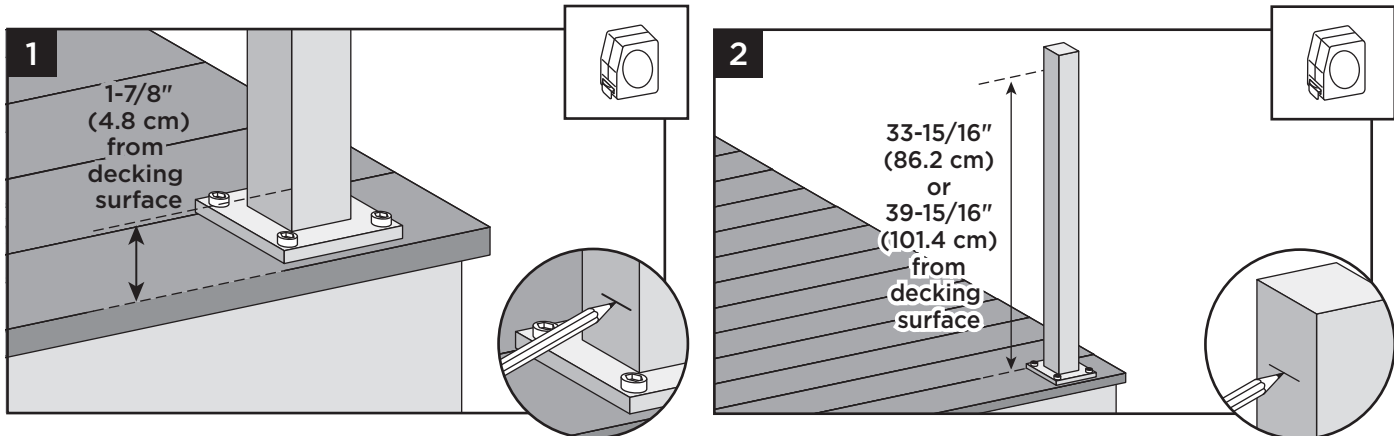
» NOTES:

These are not detailed instructions. Refer to trex.com full installation guide for additional installation methods.

» Assembled Trex Signature Panels **DO NOT** come with foot blocks. You must purchase foot blocks separately (sku BKALFTBLK) (one per panel required on spans greater than 6').

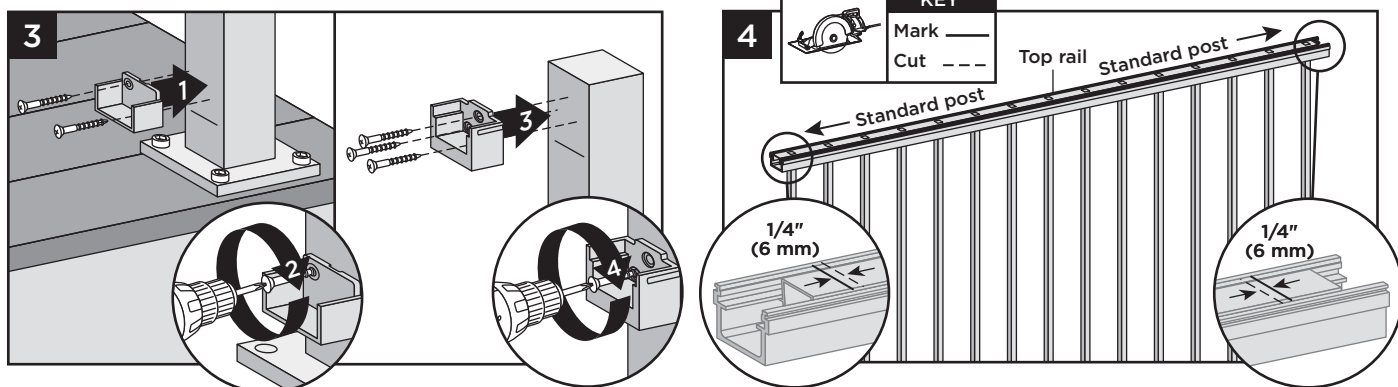
» Assembled Trex Signature Panels **DO NOT** come with brackets and screws. You must purchase the horizontal rail hardware separately (sku BKFHBKTALPNL) (one per panel).

Attach Brackets to Posts

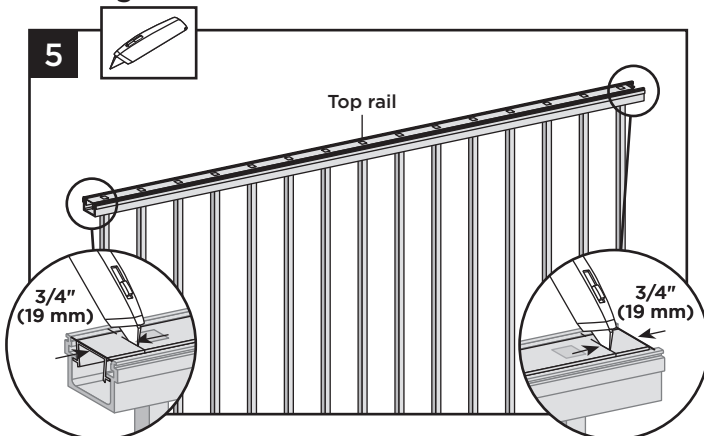


NOTE: Optional measurement: Measure 1-3/8" (3.5 cm) from top of post base plate.

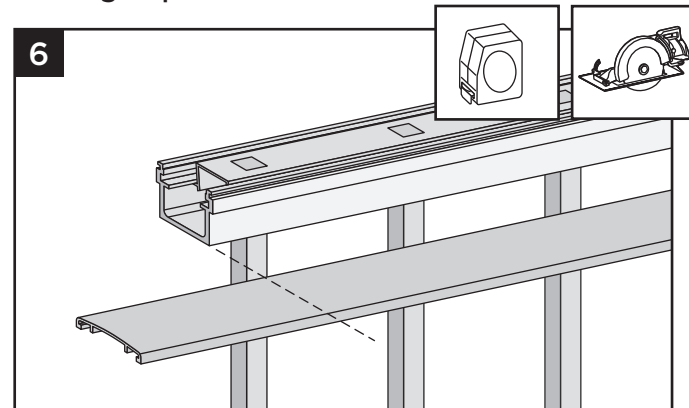
How to Measure and Cut Top Rail for Post-to-Post Configuration



Cutting Rail Insert

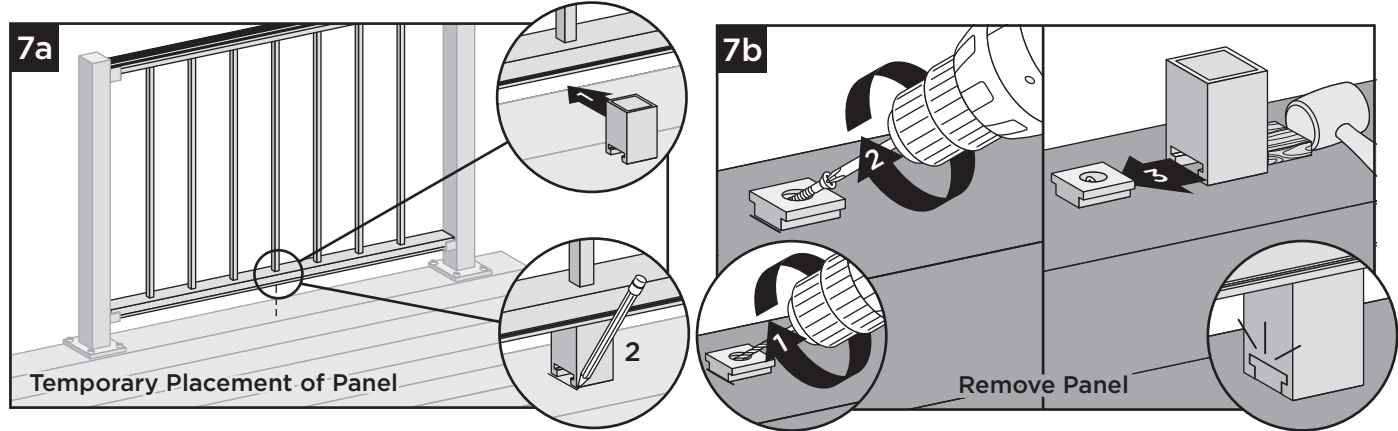


Cutting Top Rail Cover

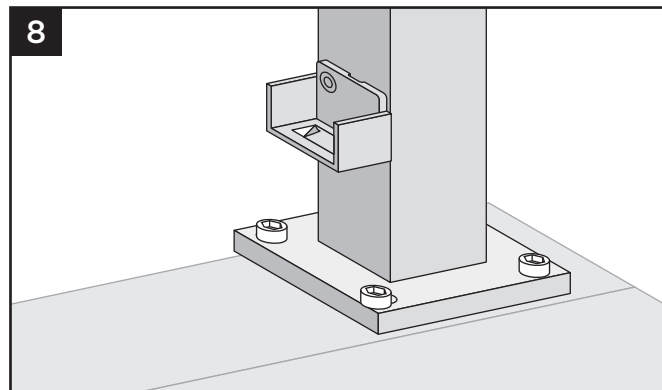


Attaching Foot Block (when required)

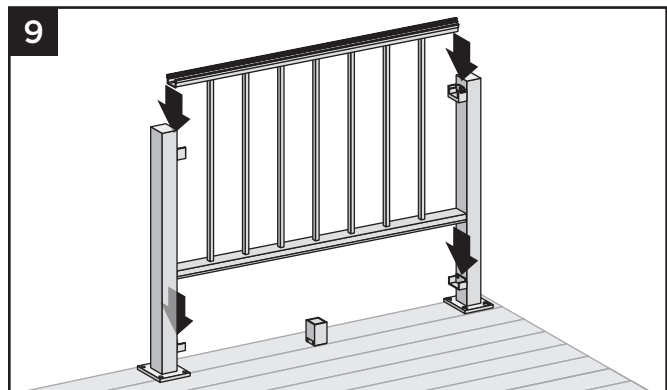
(One Foot Block is required for all spans over 6')



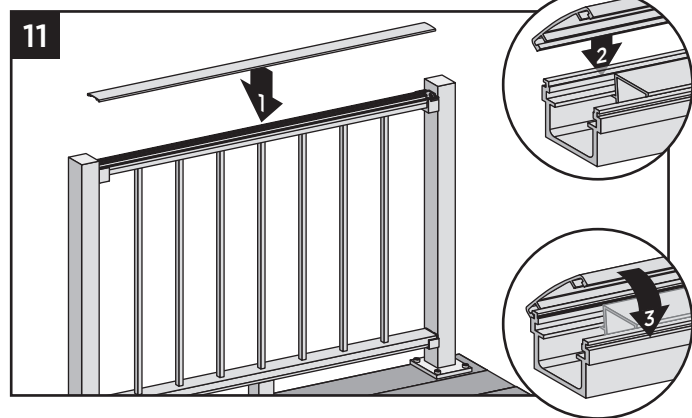
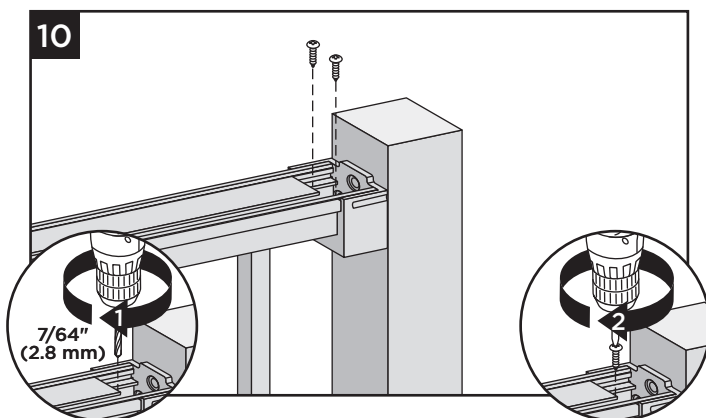
Place Adhesive Strip



Install Panel



NOTE: Make sure surface is clean and dry.



GENTLE tapping with a **rubber mallet** may facilitate fastening.

REFER TO FULL INSTRUCTIONS FOR ATTACHMENT OF DIFFERENT RAILING CONFIGURATIONS, ATTACHMENT OF POST CAPS, BRACKET COVERS, SKIRTS, AND FOOTBLOCKS.